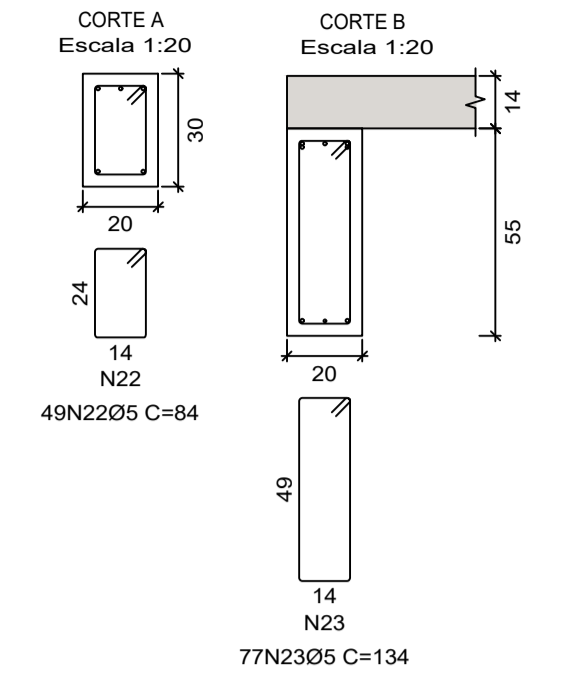
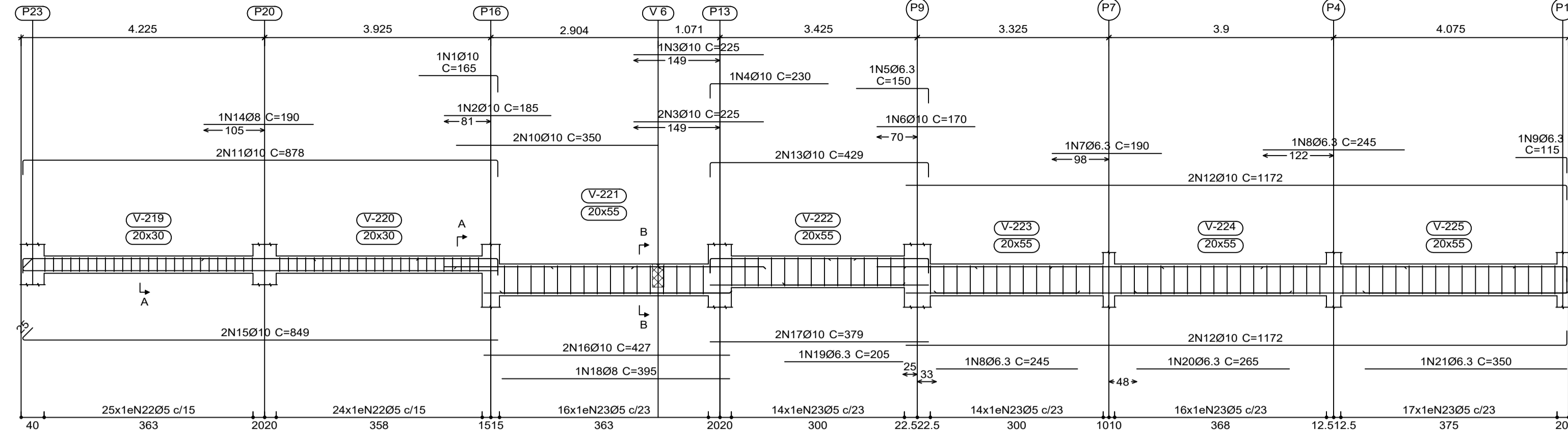
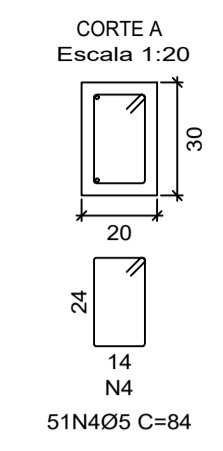
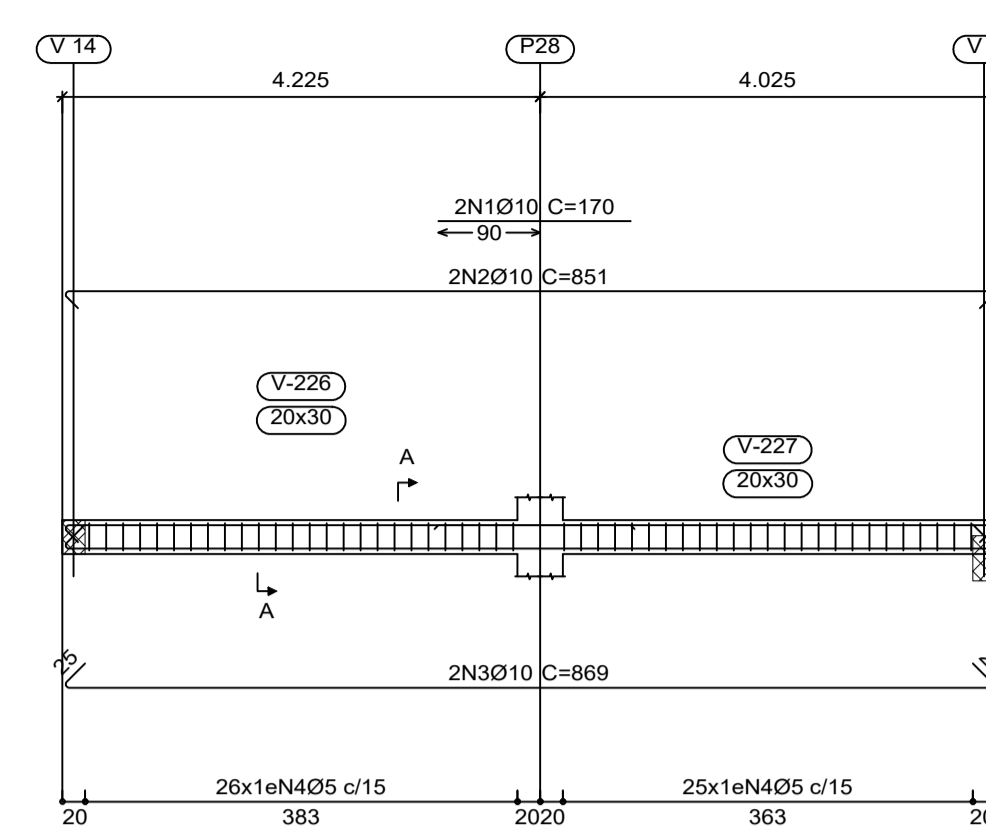


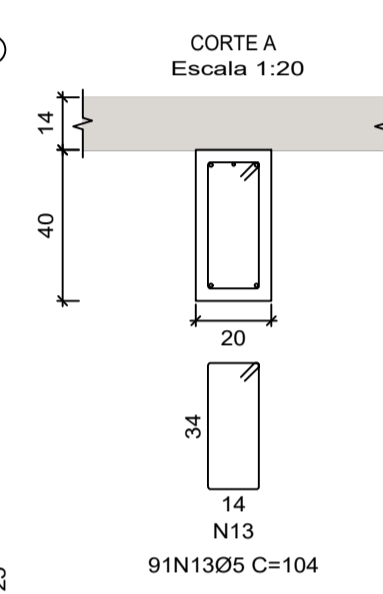
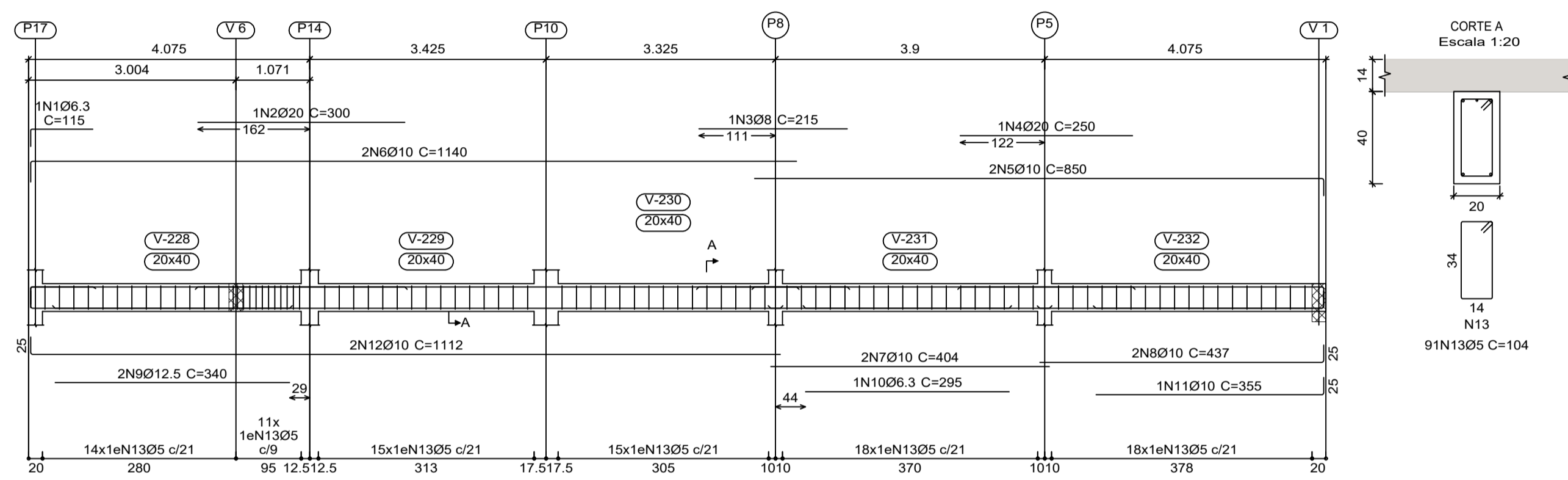
V 9  
Escala 1:75



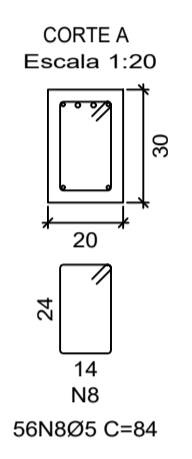
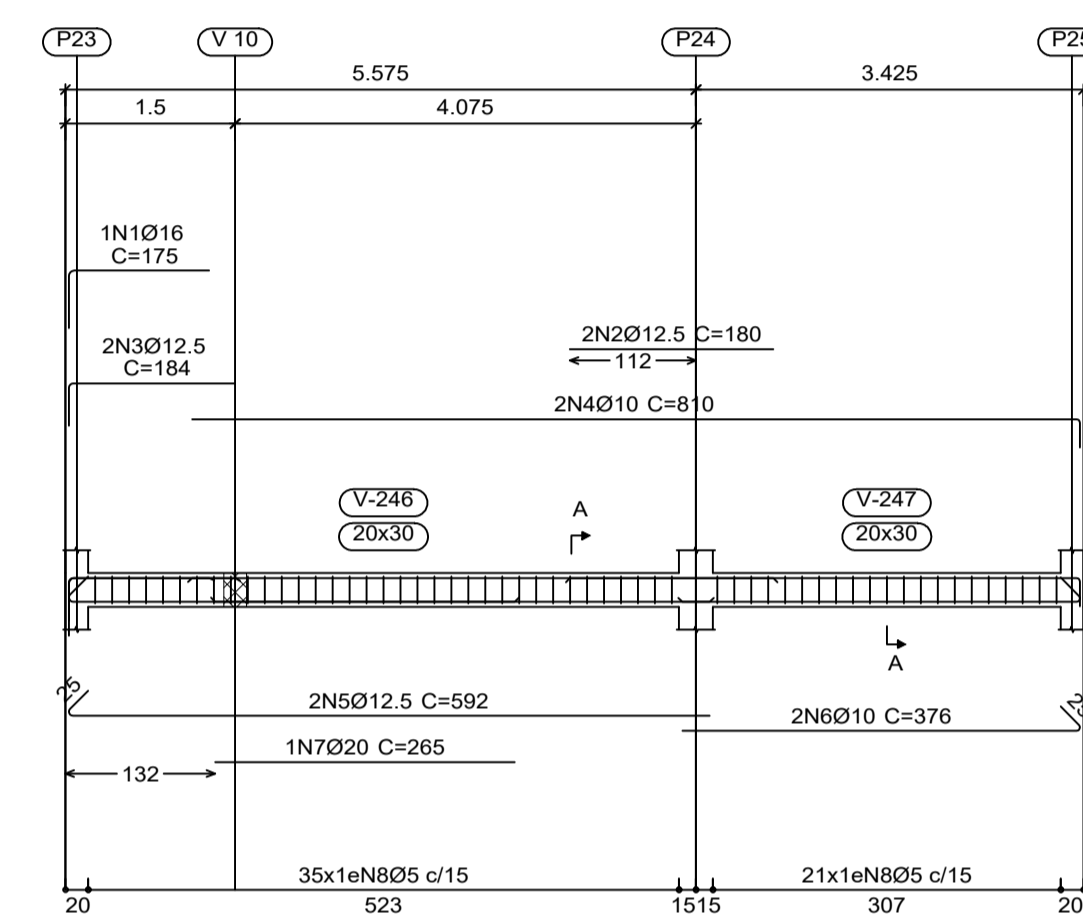
V 10  
Escala 1:75



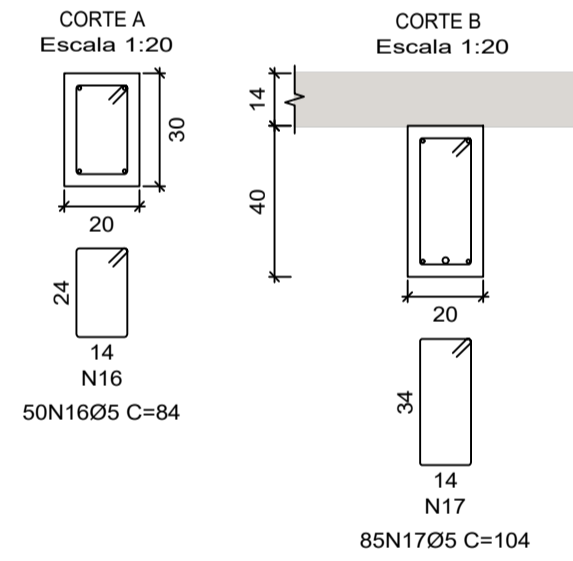
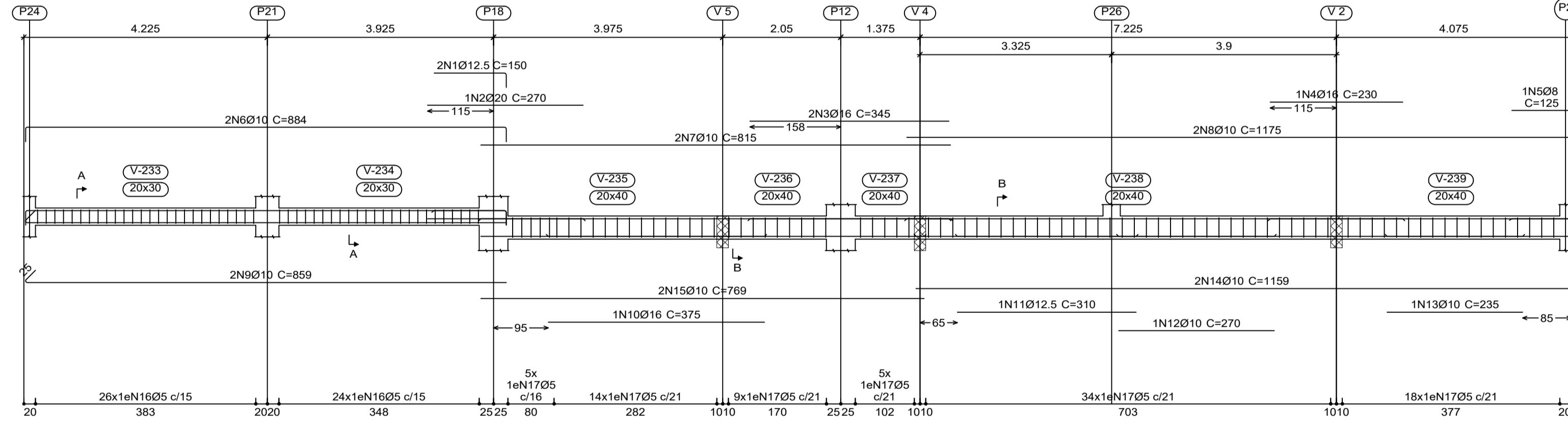
V 11  
Escala 1:75



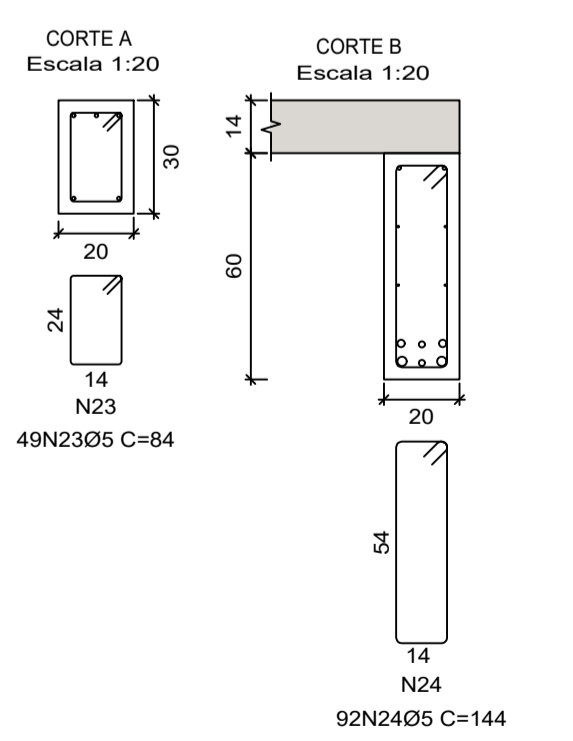
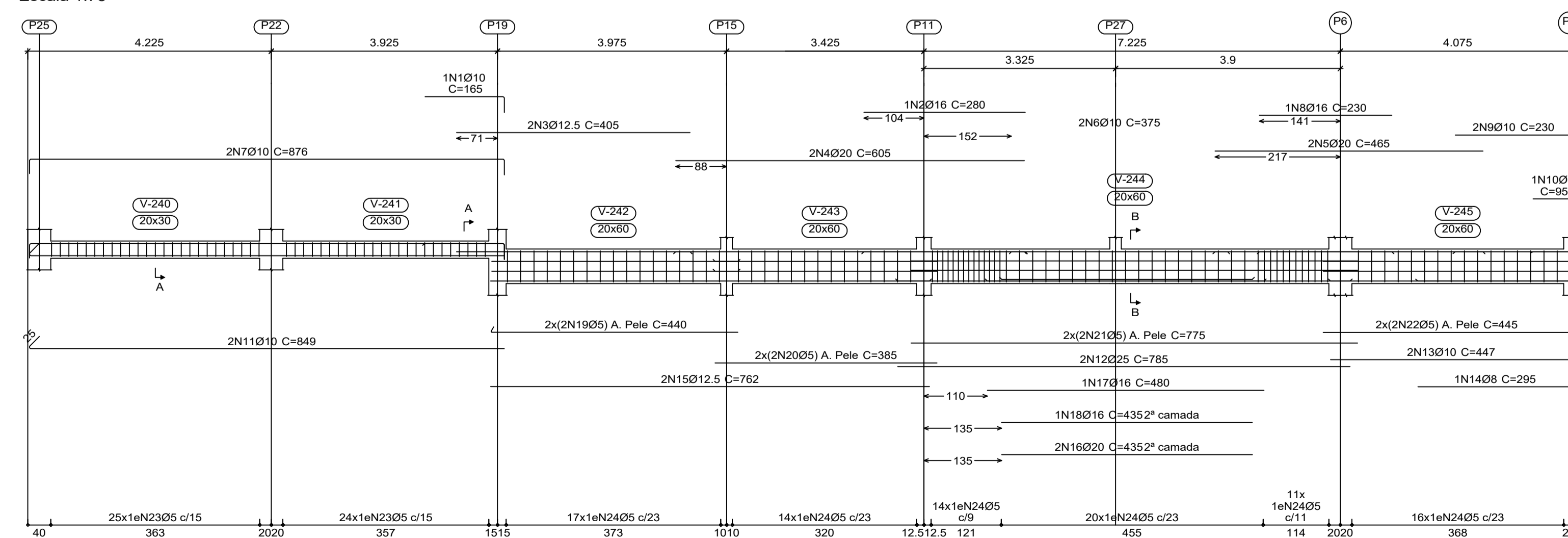
V 14  
Escala 1:75



V 12  
Escala 1:75



V 13  
Escala 1:75



Pavimento Térreo  
Concreto: C25, em geral  
Aço das barras: CA-50 e CA-60  
Aço dos estribos: CA-50 e CA-60  
Escala vigas 1:75  
Escala seções 1:20  
Escala Planta de Forma 1:75

Elemento	Pos.	Diam.	Q.	Comp. (cm)	Total (cm)	CA-50 (kg)	CA-60 (kg)	
V 9	1	Ø10	1	165	165	1.0		
	2	Ø10	1	185	185	1.1		
	3	Ø10	3	225	675	4.2		
	4	Ø10	1	230	230	1.4		
	5	Ø6.3	1	150	150	0.4		
	6	Ø10	1	170	170	1.0		
	7	Ø6.3	1	190	190	0.5		
	8	Ø6.3	2	245	490	1.2		
	9	Ø6.3	1	115	115	0.3		
	10	Ø10	2	350	700	4.3		
	11	Ø10	2	878	1756	10.8		
	12	Ø10	4	1172	4688	28.9		
	13	Ø10	2	429	858	5.3		
	14	Ø8	1	190	190	0.8		
	15	Ø10	2	849	1698	10.5		
	16	Ø10	2	427	854	5.3		
	17	Ø10	2	379	758	4.7		
	18	Ø8	1	395	395	1.6		
	19	Ø6.3	1	205	205	0.5		
	20	Ø6.3	1	265	265	0.6		
	21	Ø6.3	1	350	350	0.9		
	22	Ø5	49	84	4116		6.5	
	23	Ø5	77	134	10318		16.2	
Total+10%						93.8	25.0	
V 10	1	Ø10	2	170	340	2.1		
	2	Ø10	2	851	1702	10.5		
	3	Ø10	2	869	1738	10.7		
4	Ø5	51	84	4284		6.7		
Total+10%						25.6	7.4	
V 11	1	Ø6.3	1	115	115	0.3		
	2	Ø20	1	300	300	7.4		
	3	Ø8	1	215	215	0.8		
	4	Ø20	1	250	250	6.2		
	5	Ø10	2	850	1700	10.5		
	6	Ø10	2	1140	2280	14.0		
	7	Ø10	2	404	808	5.0		
	8	Ø10	2	437	874	5.4		
	9	Ø12.5	2	340	680	6.5		
	10	Ø6.3	1	295	295	0.7		
	11	Ø10	1	355	355	2.2		
	12	Ø10	2	1112	2224	13.7		
	13	Ø5	91	104	9464		14.9	
	Total+10%						80.0	16.4
	V 12	1	Ø12.5	2	150	300	2.9	
		2	Ø20	1	270	270	6.7	
		3	Ø16	2	345	690	10.9	
		4	Ø16	1	230	230	3.6	
		5	Ø8	1	125	125	0.5	
		6	Ø10	2	884	1768	10.9	
		7	Ø10	2	815	1630	10.0	
		8	Ø10	2	1175	2350	14.5	
	9	Ø10	2	859	1718	10.6		
10	Ø16	1	375	375	5.9			
11	Ø12.5	1	310	310	3.0			
12	Ø10	1	270	270	1.7			
13	Ø10	1	235	235	1.4			
14	Ø10	2	1159	2318	14.3			
15	Ø10	2	769	1538	9.5			
16	Ø5	50	84	4200		6.6		
17	Ø5	85	104	8840		13.9		
Total+10%						117.0	22.6	
V 13	1	Ø16	1	175	175	2.8		
	2	Ø12.5	2	180	360	3.5		
	3	Ø12.5	2	184	368	3.5		
	4	Ø10	2	810	1620	10.0		
	5	Ø12.5	2	592	1184	11.4		
	6	Ø10	2	376	752	4.6		
	7	Ø20	1	265	265	6.5		
	8	Ø5	56	84	4704		7.4	
Total+10%						46.5	8.1	
Ø5:	0.0	52.3						
Ø8:	1.8	0.0						
Ø10:	54.8	0.0						
Ø12.5:	44.9	0.0						
Ø16:	27.9	0.0						
Ø20:	88.7	0.0						
Ø25:	66.6	0.0						
Total:	284.7	52.3						

Resumo Aço Pavimento Térreo	Comp. total (m)	Peso+10% (kg)	Total
CA-50 Ø6.3	34.4	9	
Ø8	79.4	34	
Ø10	602.7	409	
Ø12.5	91.9	97	
Ø16	57.9	101	
Ø20	67.3	183	
Ø25	15.7	67	
CA-60 Ø5	1142.4	197	900
Total			1097

Projeto: TCC Data: Outubro de 2016

UNIS

Nome: LEANDRO WILLIAN DE FRETAS

Des.no.: Planta: DETALHAMENTO - VIGAS DO PAVIMENTO TÉRREO

ESCALAS: 1:20 - 1:75

PRANCHA 07