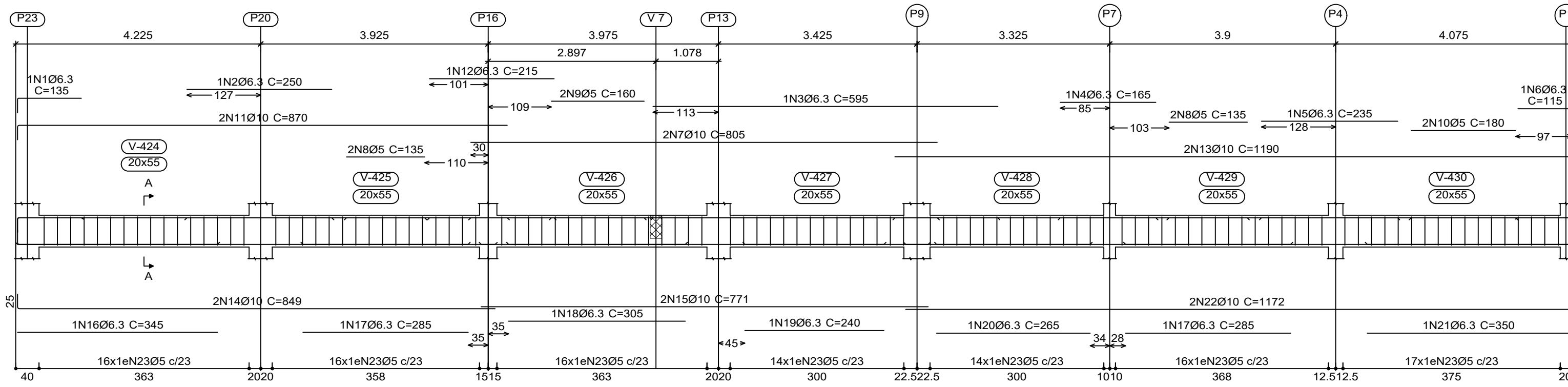
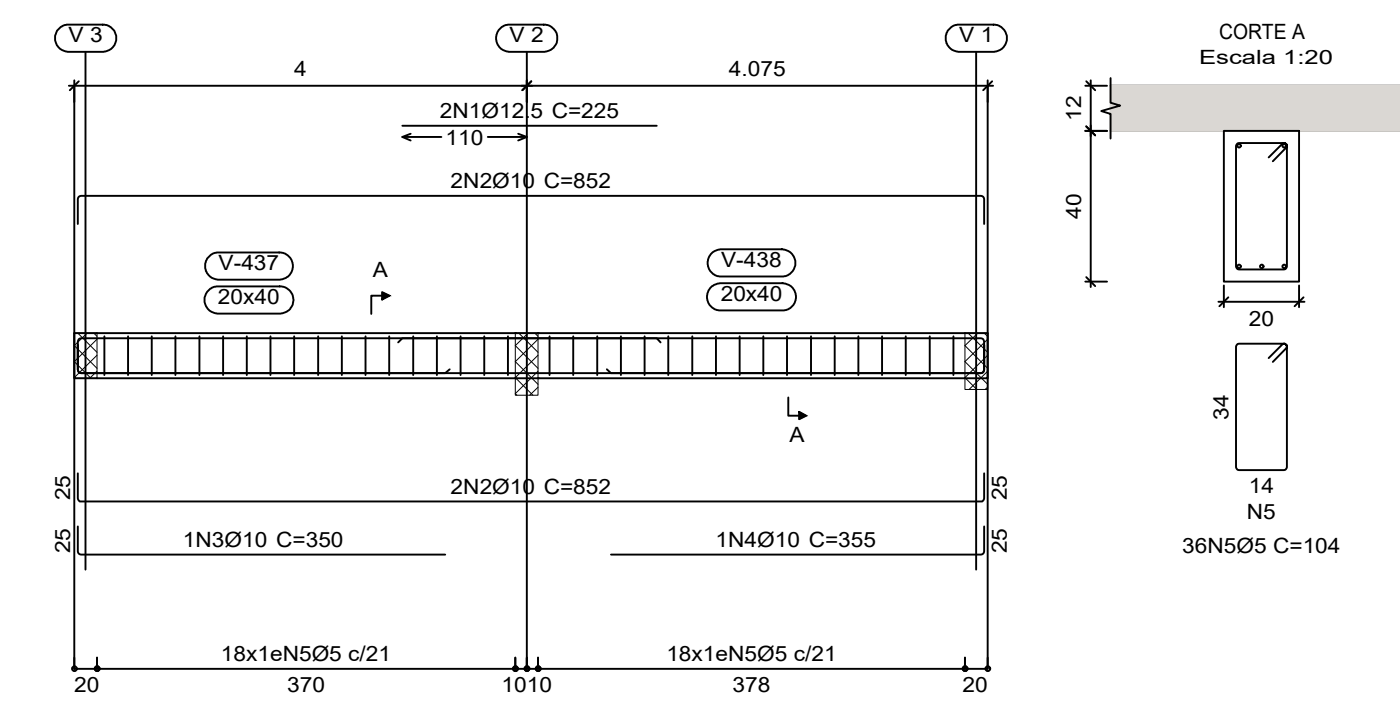


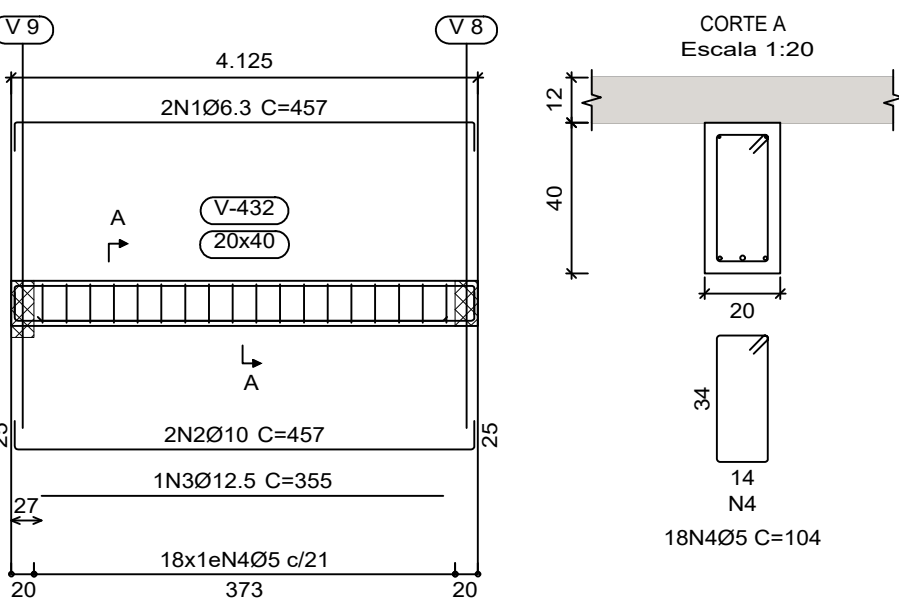
V 11
Escala 1:75



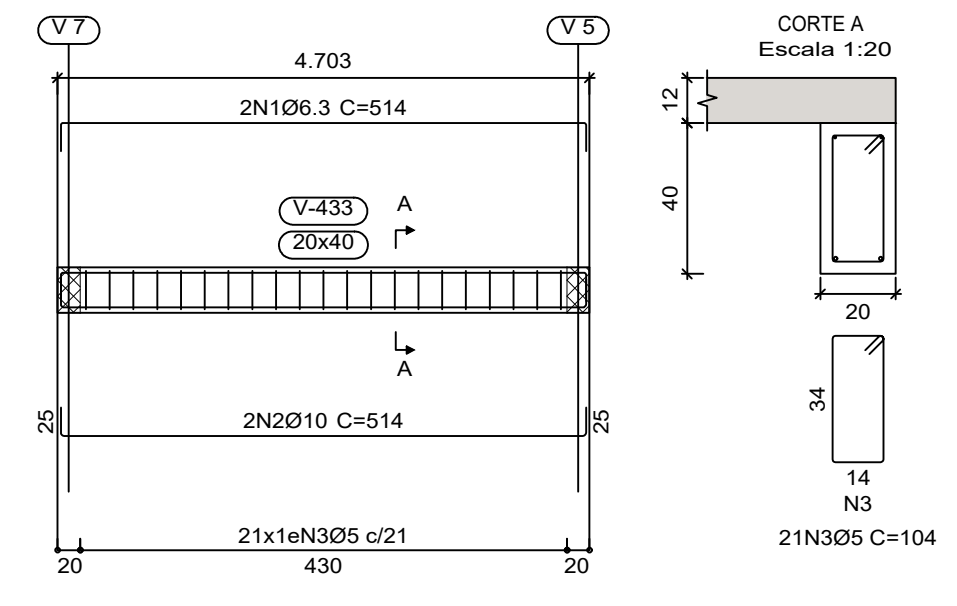
V 16
Escala 1:75



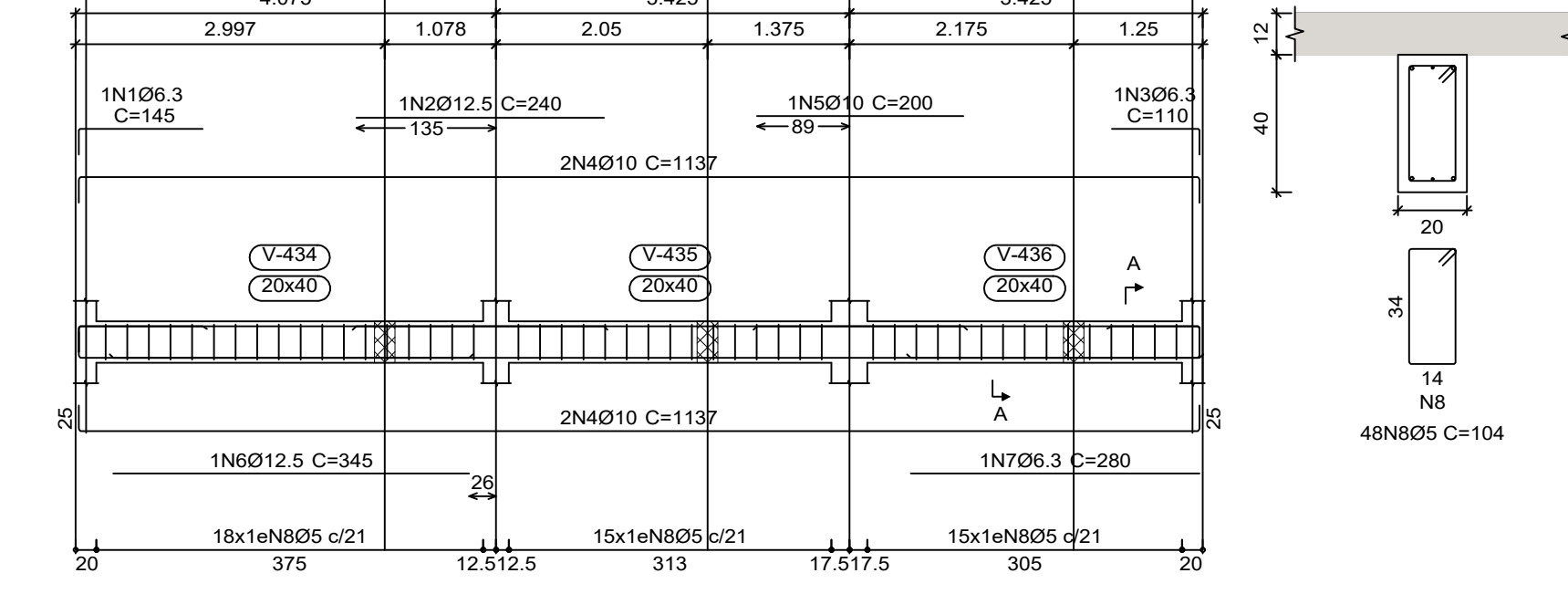
V 13
Escala 1:75



V 14
Escala 1:75

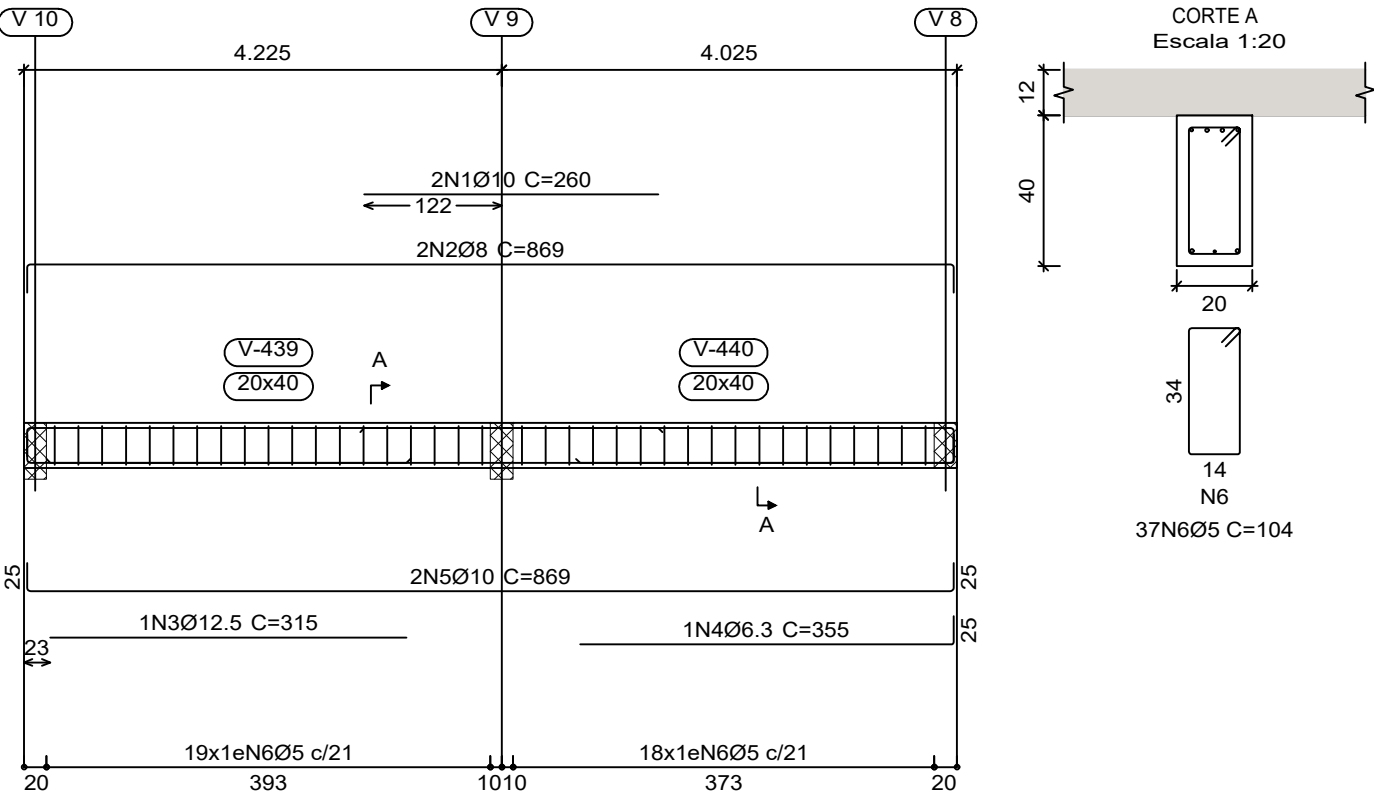


V 15
Escala 1:75

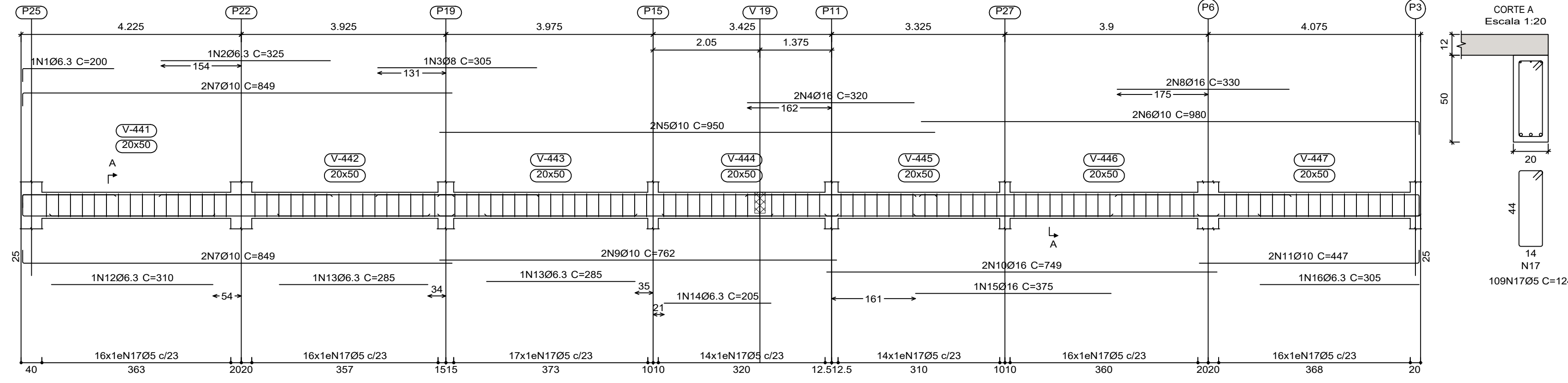


Elemento	Pos.	Diam.	Q.	Comp. (cm)	Total (cm)	CA-50 (kg)	CA-60 (kg)
V 20							
1	Ø12.5	1	310	310	3.0		
2	Ø16	2	310	620	9.8		
3	Ø25	1	320	320	12.3		
4	Ø10	1	240	240	1.5		
5	Ø8	1	145	145	0.6		
6	Ø16	2	620	1240	19.6		
7	Ø10	2	1200	2400	14.8		
8	Ø10	4	955	3820	23.5		
9	Ø10	1	355	355	2.2		
10	Ø12.5	2	375	750	7.2		
11	Ø12.5	1	320	320	3.1		
12	Ø6.3	2	310	620	1.5		
13	Ø10	2	859	1718	10.6		
14	Ø10	2	1000	2000	12.3		
15	Ø5	121	104	12584	19.8		
Total+10%				134.2	21.8		
Ø5:				0.0	21.8		
Ø6.3:				1.6	0.0		
Ø8:				0.7	0.0		
Ø10:				71.4	0.0		
Ø12.5:				14.6	0.0		
Ø16:				32.4	0.0		
Ø25:				13.5	0.0		
Total:				134.2	21.8		

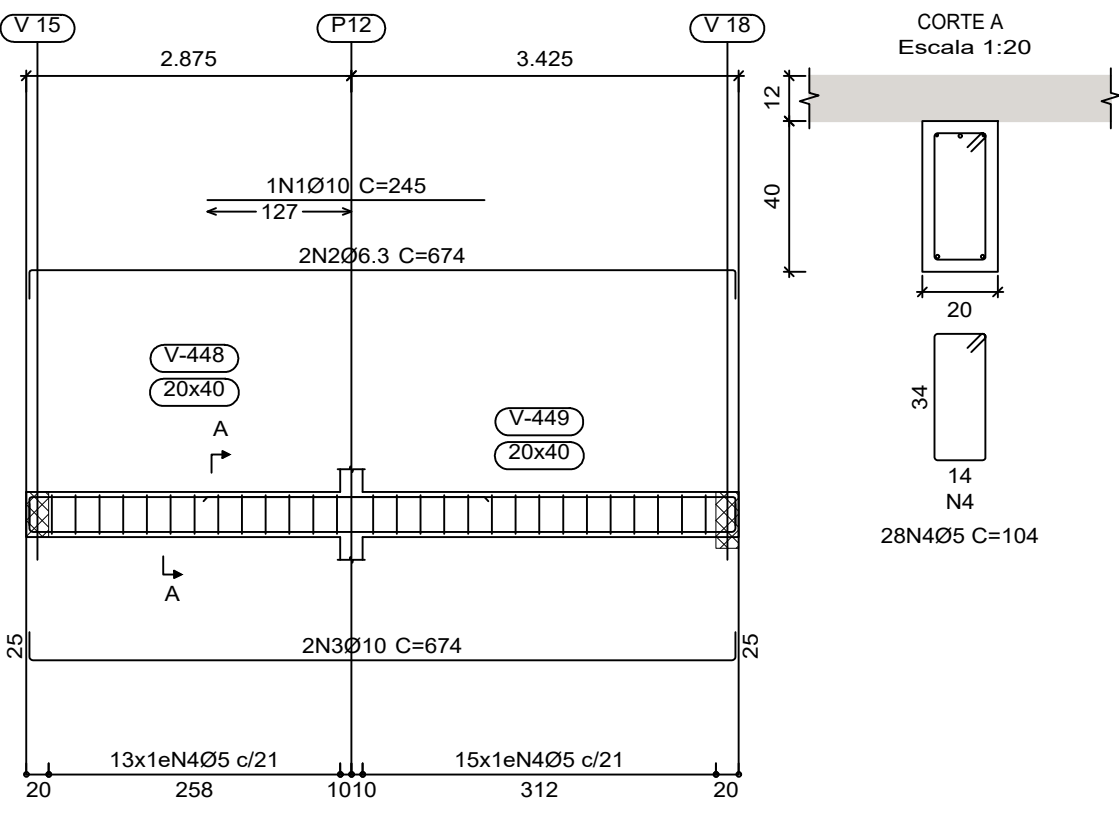
V 17
Escala 1:75



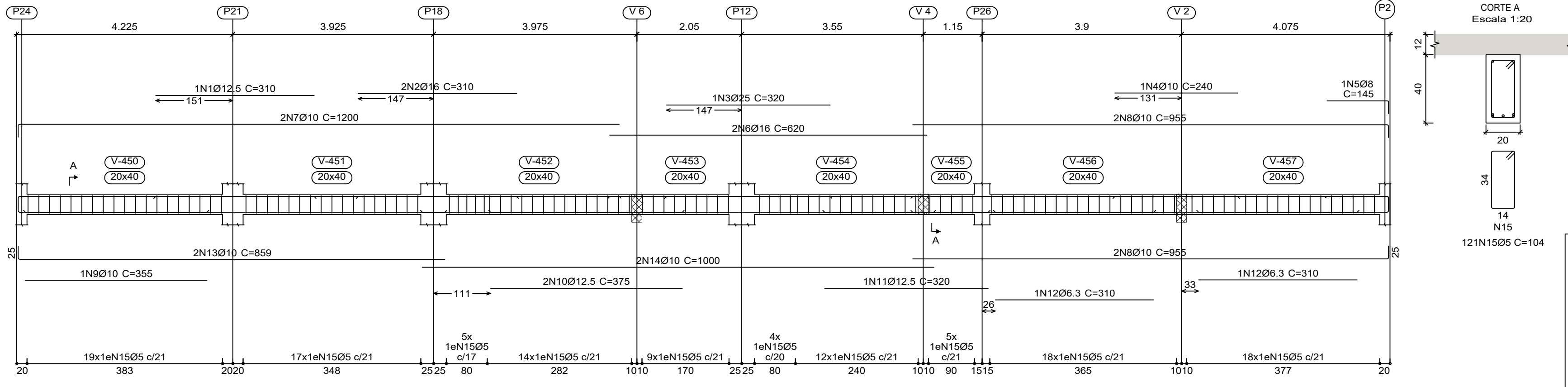
V 18
Escala 1:75



V 19
Escala 1:75



V 20
Escala 1:75



Elemento	Pos.	Diam.	Q.	Comp. (cm)	Total (cm)	CA-50 (kg)	CA-60 (kg)
V 11							
1	Ø6.3	1	135	135	0.3		
2	Ø6.3	1	250	250	0.6		
3	Ø6.3	1	595	595	1.5		
4	Ø6.3	1	165	165	0.4		
5	Ø6.3	1	235	235	0.6		
6	Ø6.3	1	115	115	0.3		
7	Ø10	2	805	1610	9.9		
8	Ø5	4	135	540	0.8		
9	Ø5	2	160	320	0.5		
10	Ø5	2	180	360	0.6		
11	Ø10	2	870	1740	10.7		
12	Ø6.3	1	215	215	0.5		
13	Ø10	2	1190	2380	14.7		
14	Ø10	2	849	1698	10.5		
15	Ø10	2	771	1542	9.5		
16	Ø6.3	1	345	345	0.8		
17	Ø6.3	2	285	570	1.4		
18	Ø6.3	1	305	305	0.7		
19	Ø6.3	1	240	240	0.6		
20	Ø6.3	1	265	265	0.6		
21	Ø6.3	1	350	350	0.9		
22	Ø10	2	1172	2344	14.4		
23	Ø5	109	134	14606	22.9		
Total+10%				86.8	27.3		
V 13							
1	Ø6.3	2	457	914	2.2		
2	Ø10	2	457	914	5.6		
3	Ø12.5	1	355	355	3.4		
4	Ø5	18	104	1872	2.9		
Total+10%				12.3	3.2		
V 14							
1	Ø6.3	2	514	1028	2.5		
2	Ø10	2	514	1028	6.3		
3	Ø5	21	104	2184	3.4		
Total+10%				9.7	3.7		
V 15							
1	Ø6.3	1	145	145	0.4		
2	Ø12.5	1	240	240	2.3		
3	Ø6.3	1	110	110	0.3		
4	Ø10	4	1137	4548	28.0		
5	Ø10	1	200	200	1.2		
6	Ø12.5	1	345	345	3.3		
7	Ø6.3	1	280	280	0.7		
8	Ø5	48	104	4992	7.8		
Total+10%				39.8	8.6		
V 16							
1	Ø12.5	2	225	450	4.3		
2	Ø16	4	852	3408	21.0		
3	Ø10	1	350	350	2.2		
4	Ø10	1	355	355	2.2		
5	Ø5	36	104	3744	5.9		
Total+10%				32.7	6.5		
V 17							
1	Ø10	2	260	520	3.2		
2	Ø8	2	869	1738	6.9		
3	Ø12.5	1	315	315	3.0		
4	Ø6.3	1	355	355	0.9		
5	Ø10	2	869	1738	10.7		
6	Ø5	37	104	3848	6.0		
Total+10%				27.2	6.6		
V 18							
1	Ø6.3	1	200	200	0.5		
2	Ø6.3	1	325	325	0.8		
3	Ø8	1	305	305	1.2		
4	Ø16	2	320	640	10.1		
5	Ø10	2	950	1900	11.7		
6	Ø10	2	980	1960	12.1		
7	Ø10	4	849	3396	20.9		
8	Ø16	2	330	660	10.4		
9	Ø10	2	762	1524	9.4		
10	Ø16	2	749	1498	23.6		
11	Ø10	2	447	894	5.5		
12	Ø6.3	1	310	310	0.8		
13	Ø6.3	2	285	570	1.4		
14	Ø6.3	1	205	205	0.5		
15	Ø16	1	375	375	5.9		
16	Ø6.3	1	305	305	0.7		
17	Ø5	109	124	13516	21.2		
Total+10%				127.1	23.3		
V 19							
1	Ø10	1	245	245	1.5		
2	Ø6.3	2	674	1348	3.3		
3	Ø10	2	674	1348	8.3		
4	Ø5	28	104	2912	4.6		
Total+10%				14.4	5.1		
Ø5:				0.0	84.3		
Ø6.3:				26.8	0.0		
Ø8:				8.9	0.0		
Ø10:				238.8	0.0		
Ø16:				55.5	0.0		
Total:				330	84.3		

Pavimento Superior
Concreto: C25, em geral
Aço das barras: CA-50 e CA-60
Aço dos estribos: CA-50 e CA-60
Escala vigas 1:75
Escala seções 1:20

Projeto:	TCC	Data:	Outubro de 2016
UNIS			
Nome:	LEANDRO WILLIAN DE FRETAS		
Des.no.:	Planta:	DETALHAMENTO - VIGAS DO PAVIMENTO SUPERIOR	
ESCALAS: 1:20 - 1:75			PRANCHA
			11